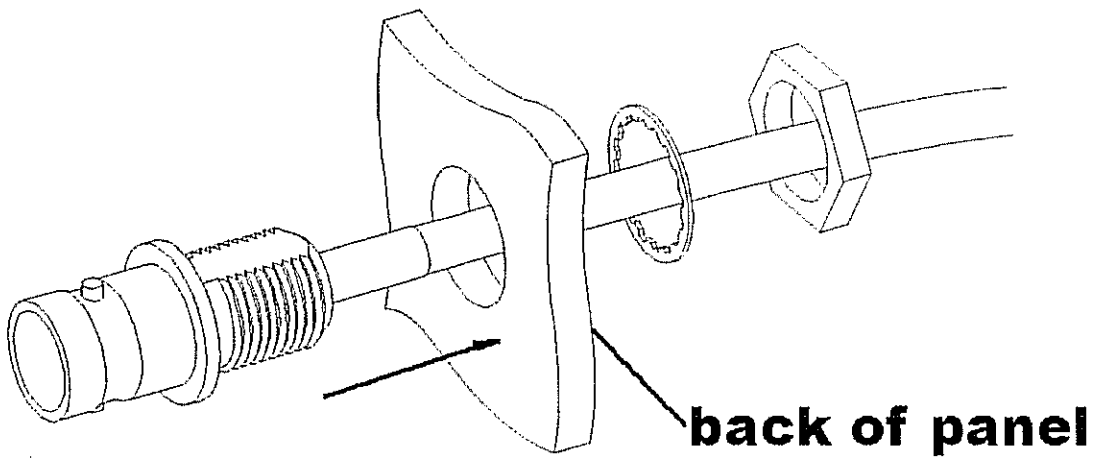
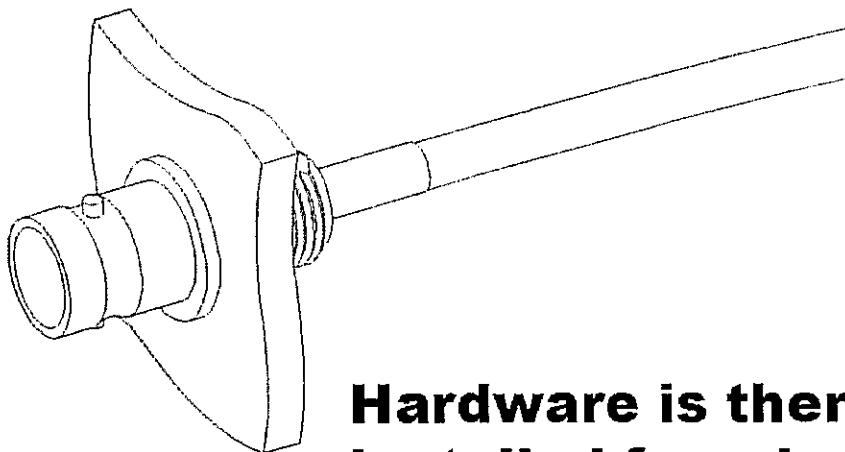


**Front Mount Style example:  
(note: connector appearance may vary)**

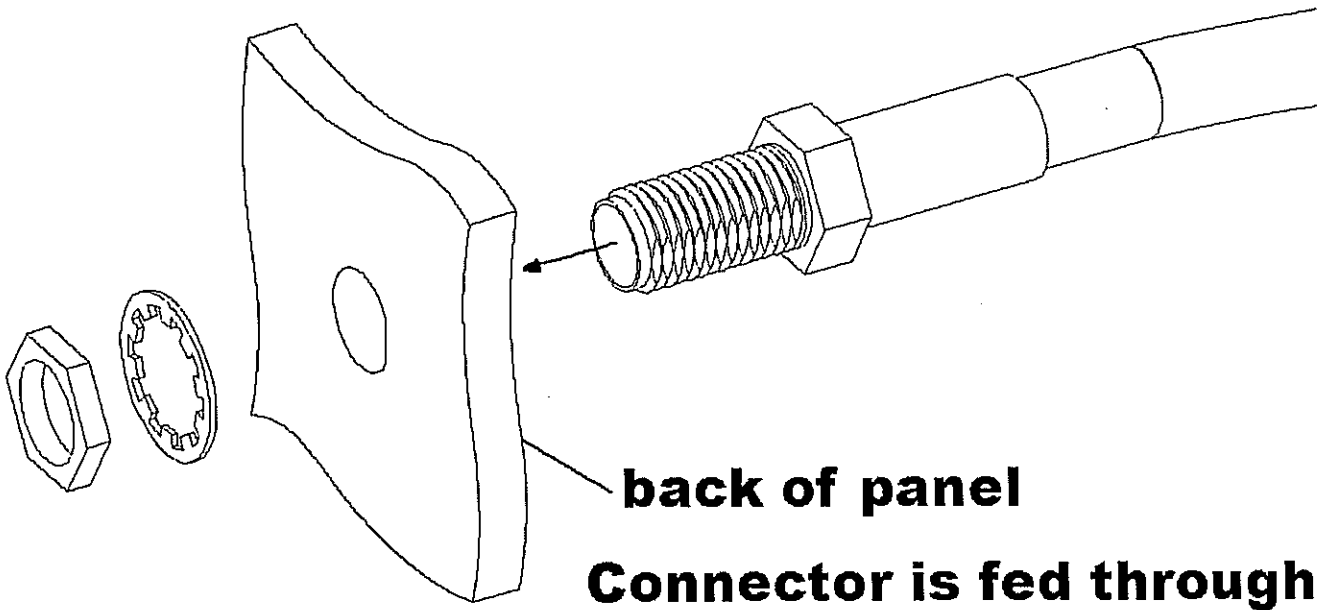


**Connector is fed through  
front of panel.**

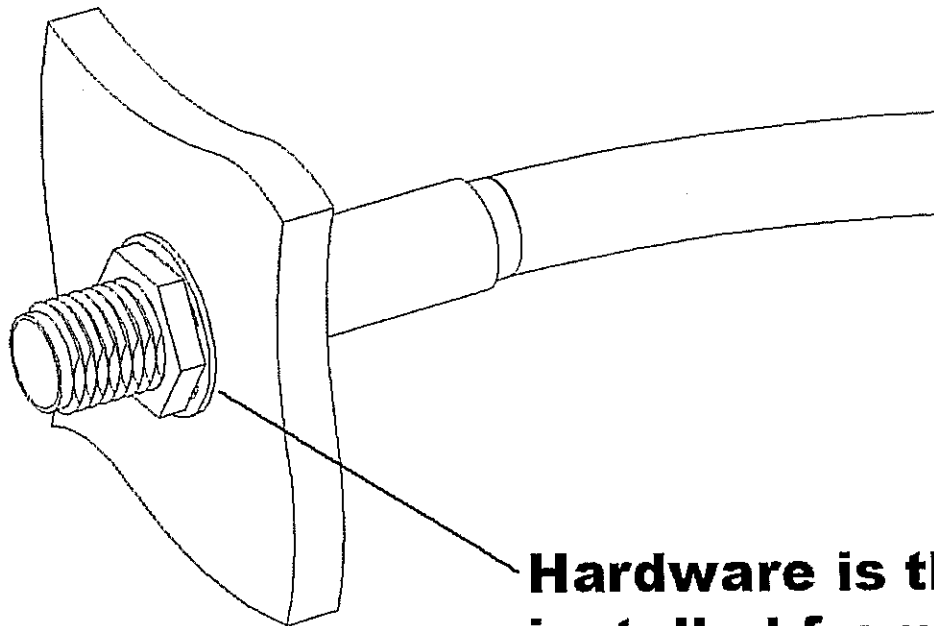


**Hardware is then  
installed from back  
of panel.**

**Rear Mount Style example:  
(note: connector appearance may vary)**



**back of panel**  
**Connector is fed through  
back of panel.**



**Hardware is then  
installed from front  
of panel.**